



# COMMERCIAL HEAVY-DUTY PLASTIC TOILET SEAT

MODEL #

COLOR #

**320**

## DESCRIPTION:

Open front with cover, round, heavy-duty, injection molded solid plastic toilet seat. Features four molded-in bumpers, color-matched Top-Tite® hinges with non-corrosive, top-tightening Hex-Tite™ bolts and wing nuts. This seat complies with IAPMO/ANSI Z124.5-2013 Plastic Toilet Seats as a class Commercial Heavy Duty.

## SPECIFICATIONS:

Size:	Round
Material:	Plastic
Style:	Open Front with Cover
Bumpers:	Four
Hinges:	Plastic Top-Tite®
Fastening System:	Non-Corrosive Hex-Tite™ Bolts and Wing Nuts

## FEATURES:

Top-Tite® Hinges

Non-Corrosive Hex-Tite™ Bolts and Wing Nuts

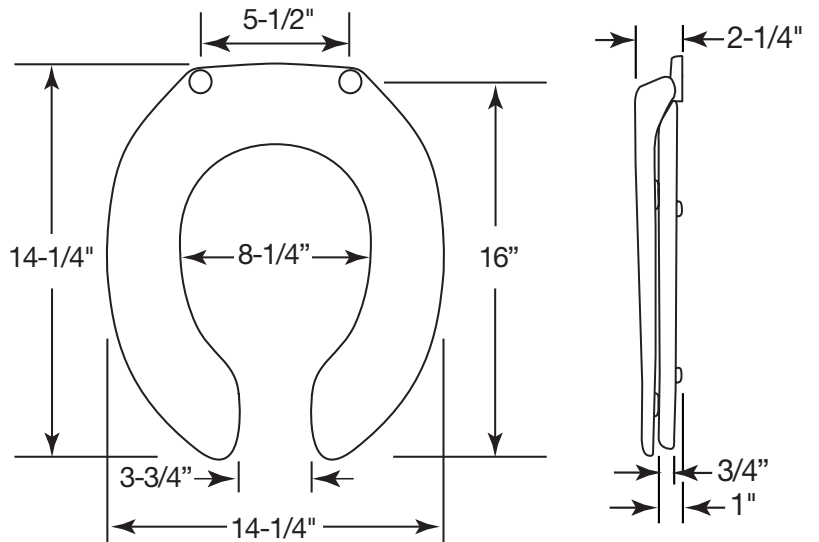
## DIMENSIONS:



TOP-TITE® HINGES



NON-CORROSIVE BOLTS  
AND WING NUTS



Proudly Made in the USA

Church Seats, Sheboygan Falls, WI 53085  
www.ToiletSeats.com

Phone: 800-233-7328 Fax: 800-292-3647  
©2014 0B7082244 REVA